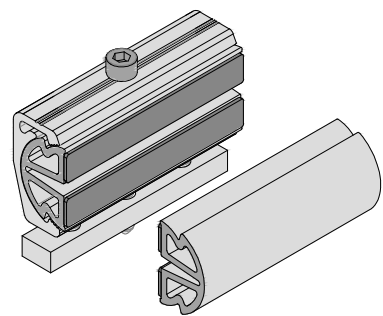
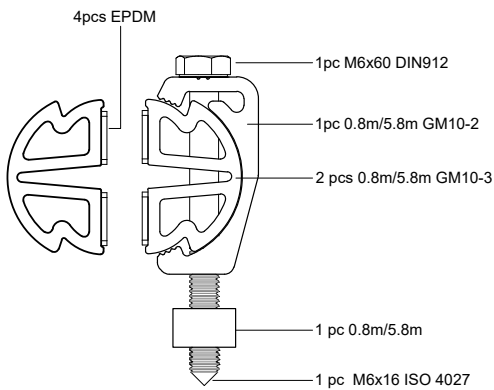


PCA-CN01
Canopy Profile
 80 kg | Weight
 21,52 mm | Glass Thickness
 300cm | Length
 Aluminium | Material
 Natural Anodize, Satin | Finish



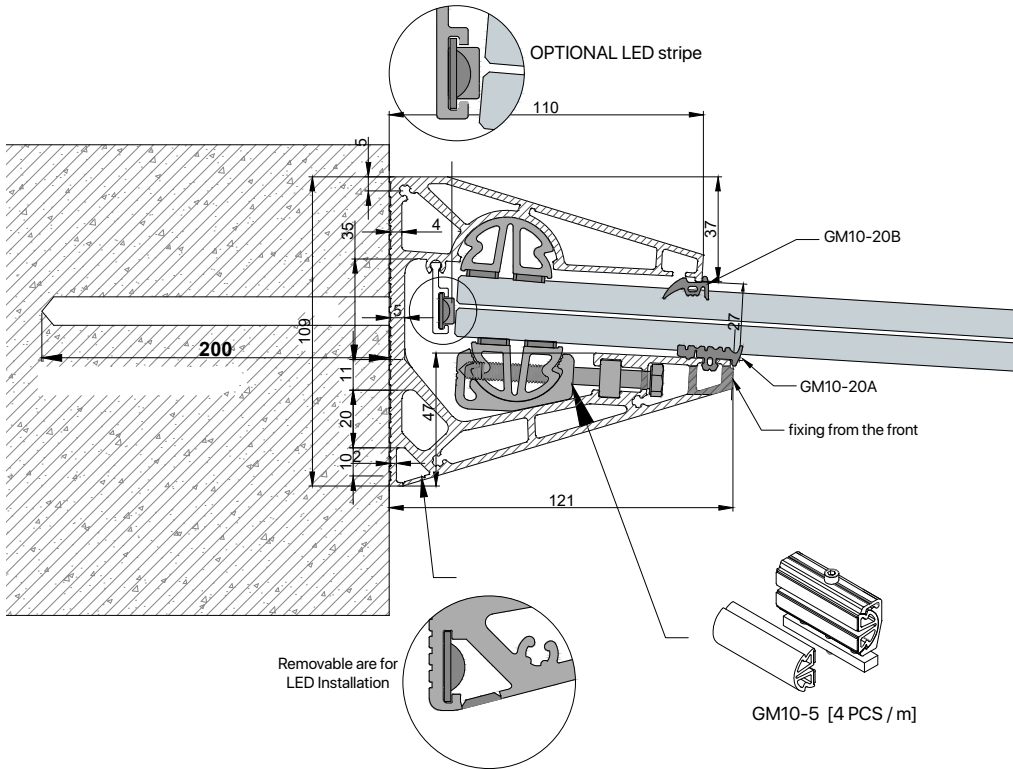
PCA-CN01-10
 10.10.4mm | Glass Thickness
 6cm | Length
 Aluminium | Material



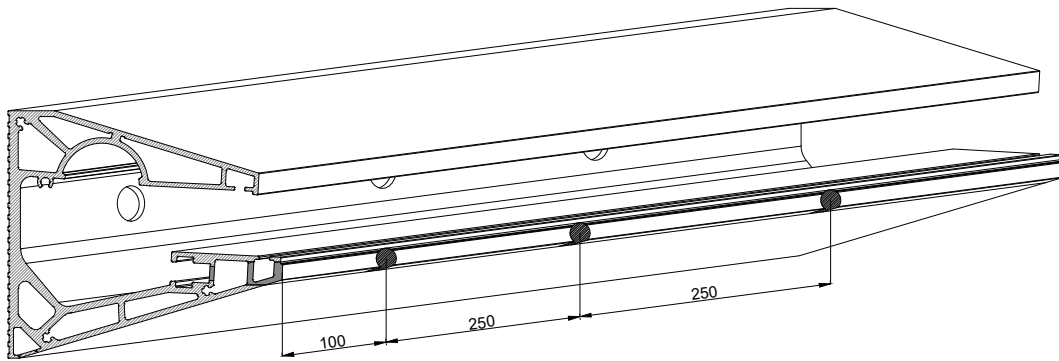
PCA-GM10-20A
 Canopy Profile Fixing Rubber
 30m Roll | Unit



PCA-GM10-20B
 Canopy Profile Fixing Rubber
 30m Roll | Unit



CNC Processing



DESCRIPTION:

- Profile length: 3,5 m
- Maximum glass dimensions: 100x110
- Glass thickness 10+10+1,52 tempered and laminated
- Up to 200kg load/m² excluded the glasse's weight.