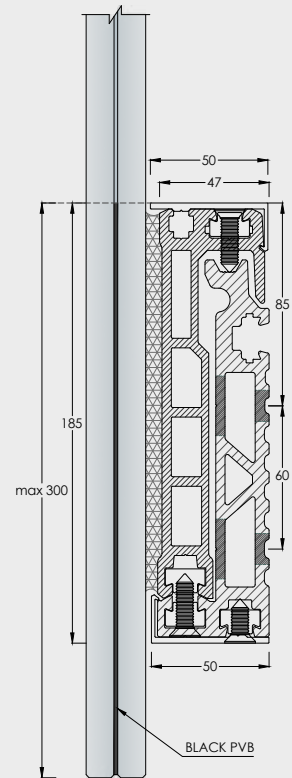
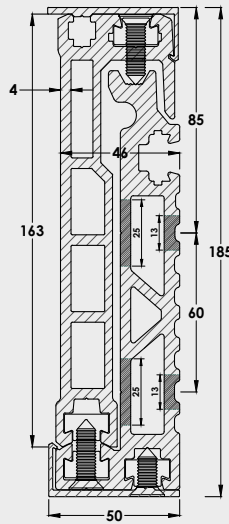



M14 | RAILING SYSTEM



Profile data

Product Code	Material	Finish	Length (mm)	Weight (kg/m)	Max Height (m)	Max Load (KN)	Glass Thickness
GM07-1	Aluminium	Mill	5800	4,700	1,1	1	17,52 - 21,52
GM07-2	Aluminium	Mill	5800	5,515	1,1	1	17,52 - 21,52
GM07-3	Aluminium	Satin	5800	0,460	1,1	1	17,52 - 21,52
GM07-3	Aluminium	Natural Anodize	5800	0,460	1,1	1	17,52 - 21,52

Sets/bar

		
36 pieces	15X136 39 pieces	GM07EC (OPTIONAL)

