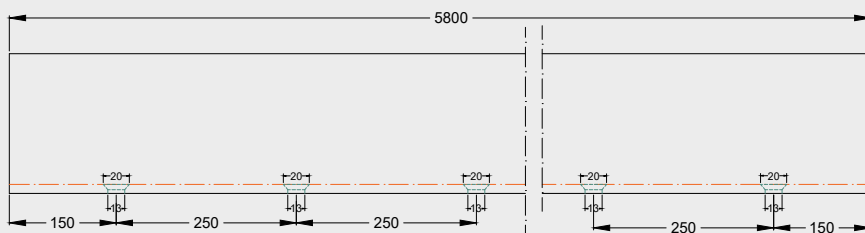
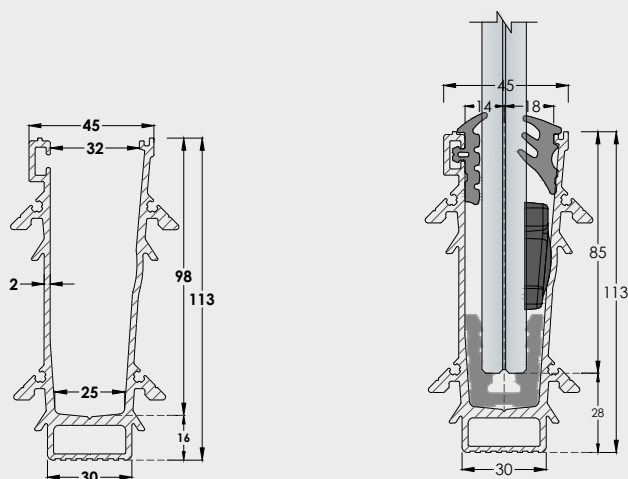


M15 | RAILING SYSTEM



Profile Holes

Profile data

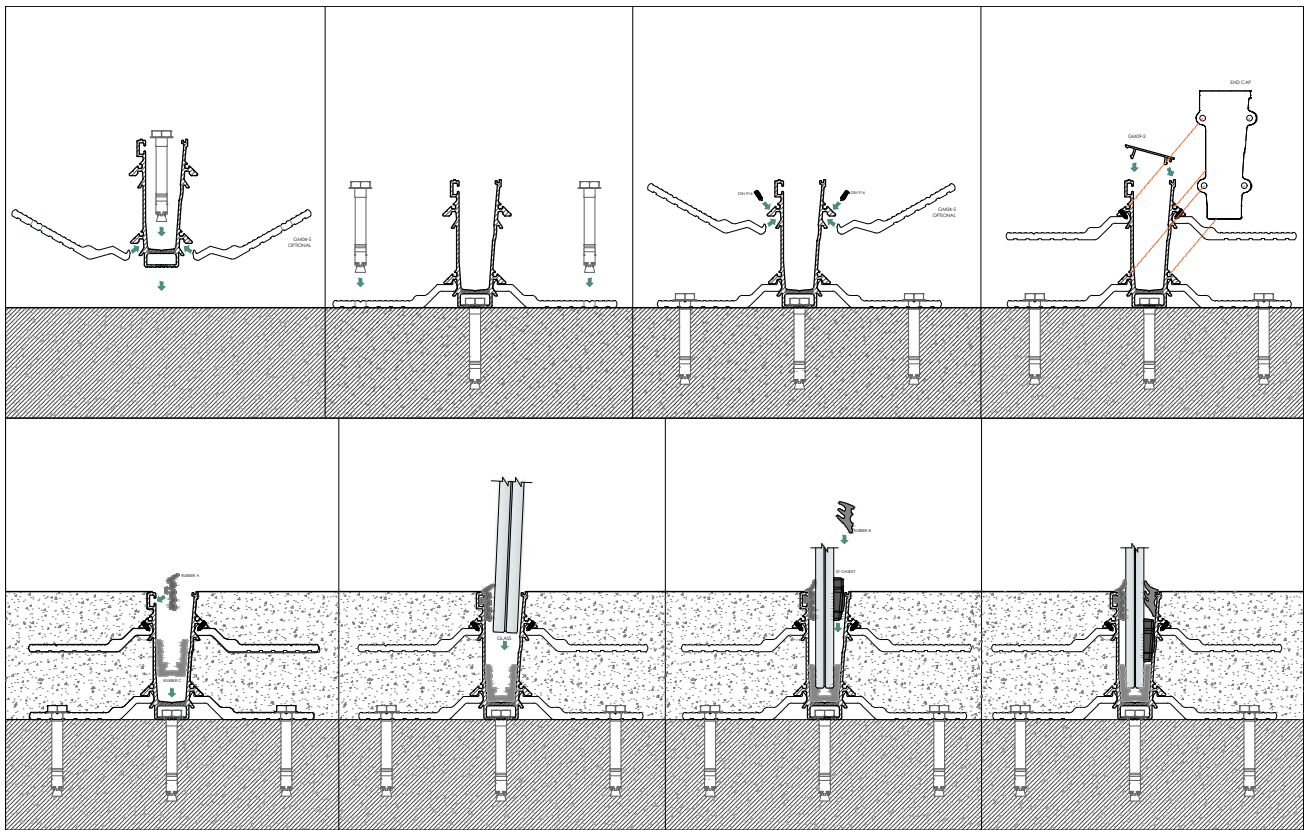
Product Code	Material	Finish	Length (mm)	Weight (kg/m)	Max Height (m)	Max Load (KN)	Glass Thickness
GM09	Aluminium	Satin	5800	2,944	1,1	1	13,52 - 17,52 - 21,52
GM09	Aluminium	Natural Anodize	5800	2,944	1,1	1	13,52 - 17,52 - 21,52

System components

13,52	Glass Thickness	GM01-12A	GM01-12B	GM01-12C	GM01SF-12
17,52	Glass Thickness	GM01-16A	GM01-16B	GM01-16C	GM01SF-16
21,52	Glass Thickness	GM01-20A	GM01-20B	GM01-20C	GM01SF-20

Sets/bar

Length: 5800	Length: 5800	Length: 5800	2X10 pieces	23 pieces	OPTIONAL END CAP
30m Roll Unit		14m Roll Unit			



M15

GM09
CONCEALED

