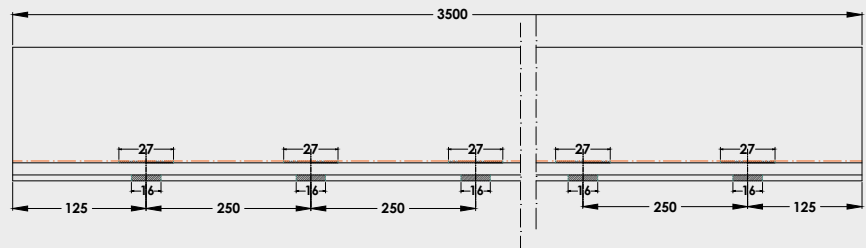
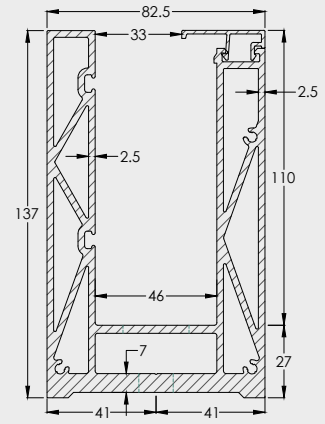
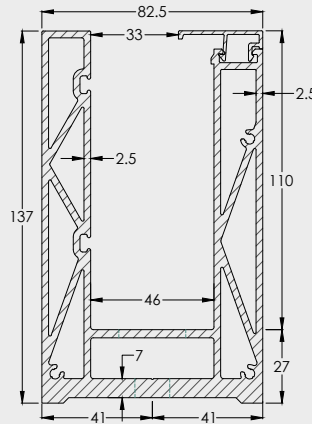


# M19 | RAILING BASE

**NEW**












Profile Holes

## Profile data

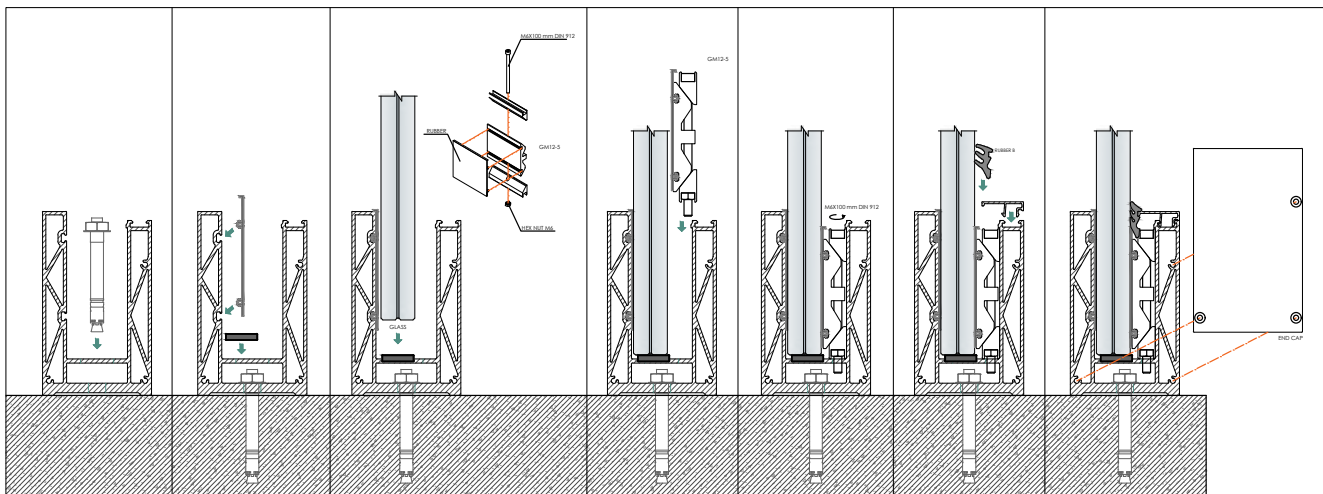
Product Code	Material	Finish	Length (mm)	Weight (kg/m)	Max Height (m)	Max Load (KN)	Glass Thickness
GM13	Aluminium	Satin	3500	7,126	1,2	2	<b>21,52 - 25,52</b>
GM13	Aluminium	Natural Anodize	3500	7,126	1,2	2	<b>21,52 - 25,52</b>

## System components

21,52	Glass Thickness					
		<b>GM12-24</b>	<b>GM12-20</b>	<b>GM01-12B</b>	5mm adjustment block	<b>GM12-5</b>
25,52	Glass Thickness					
		<b>GM12-24</b>		<b>GM01-16B</b>	5mm adjustment block	<b>GM12-5</b>

## Sets/bar

						
Length: 3500	Length: 3500	Length: 3500	8 pieces	12 pieces	14 pieces	GM13EC (OPTIONAL)
30m Roll   Unit						



**2 kN** MAXIMUM LOAD

**M19**  
GM13  
TOP MOUNTED

