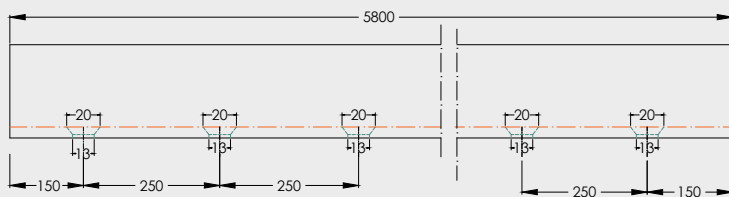
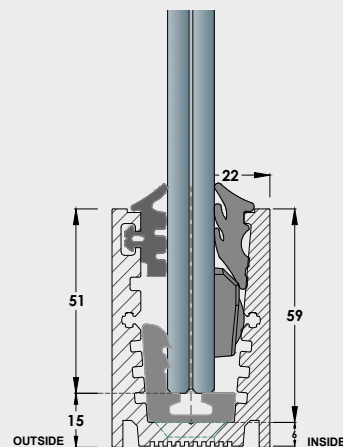
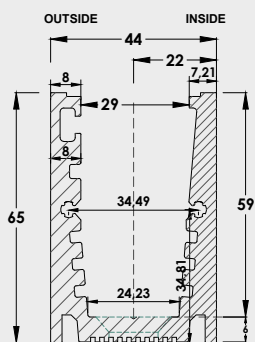


M2 | RAILING BASE




Profile Holes

Profile data

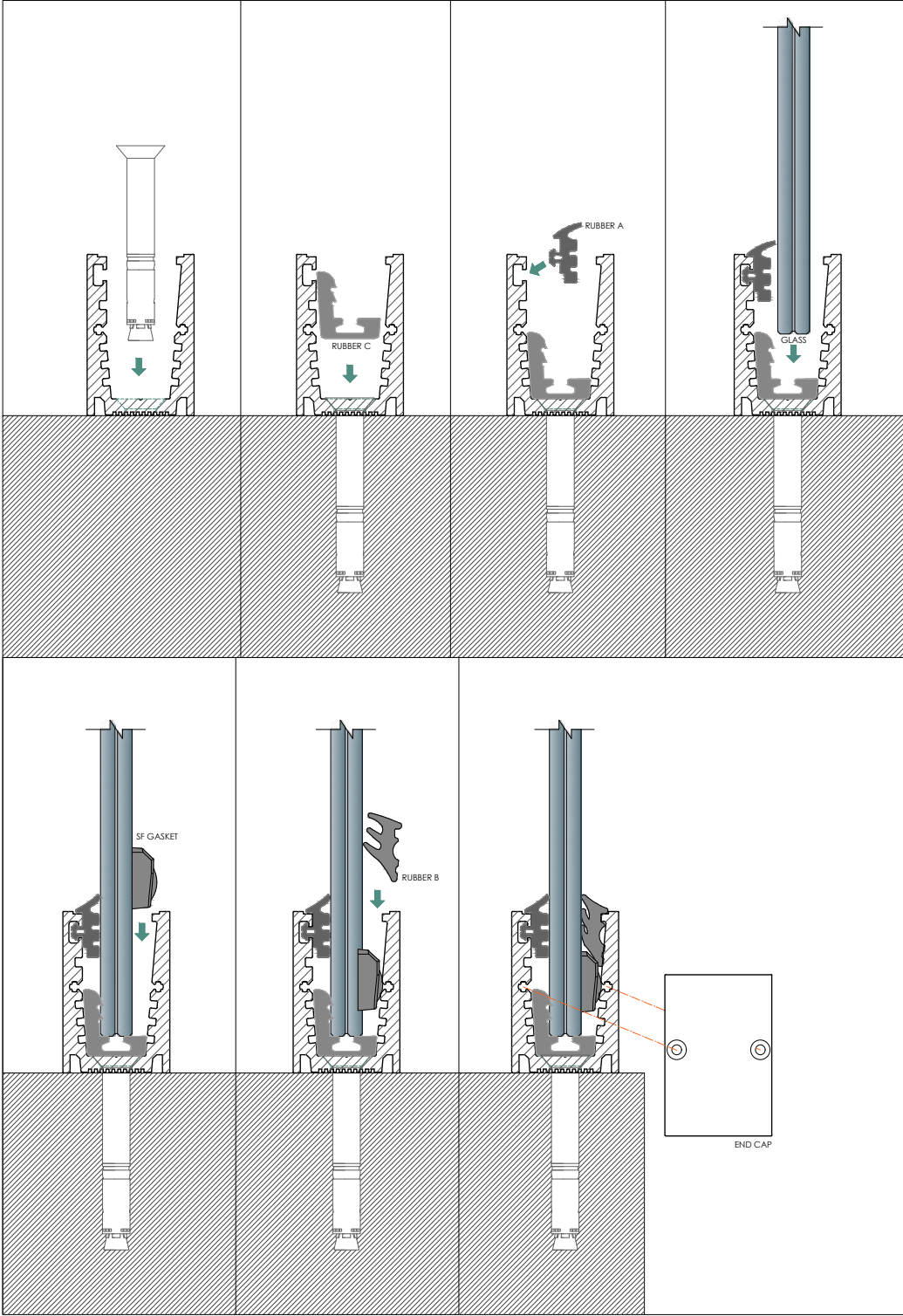
Product Code	Material	Finish	Length (mm)	Weight (kg/m)	Max Height (m)	Max Load (KN)	Glass Thickness
GM01A	Aluminium	Satin	5800	2,724	0,7	1	11,52 - 13,52
GM01A	Aluminium	Natural Anodize	5800	2,724	0,7	1	11,52 - 13,52

System components

11,52	Glass Thickness	GM01A-10A 	GM01-16B 	GM01A-10C 	GM02SF-10 
13,52	Glass Thickness	GM01A-12A 	GM01-20B 	GM01A-12C 	GM02SF-12 

Sets/bar

					
Length: 6m	Length: 6m	Length: 6m	2X10 pieces	23 pieces	GM01AEC (OPTIONAL)
30m Roll Unit		14m Roll Unit			



M2

GM01A
TOP MOUNTED