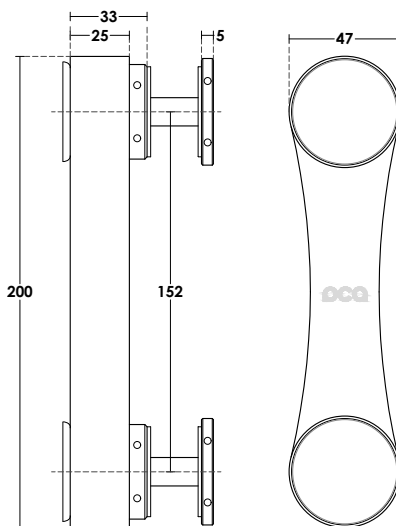


Glass Thickness	AN11			
<b>16mm</b>	H[mm]	1000	1100	1200
	D[mm]	800	700	600
<b>20mm</b>	H[mm]	1000	1100	1200
	D[mm]	800	700	600

# M8

AN11  
LATERAL



**PCA-AN11**  
**5 Axes Adjustable Double Anchor Spacer**  
 10-20 mm | Glass Thickness  
 1KN | Max.Load  
 Stainless Steel 304 | Material  
 Satin | Finish