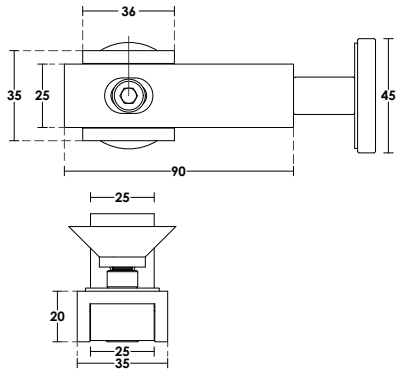
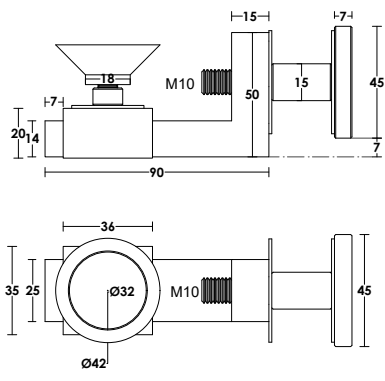
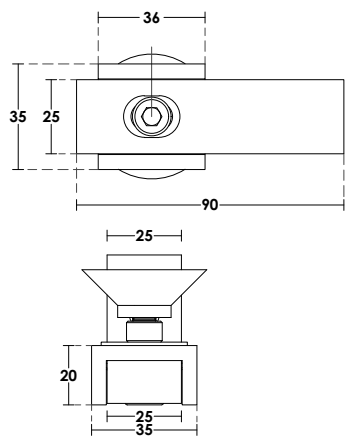
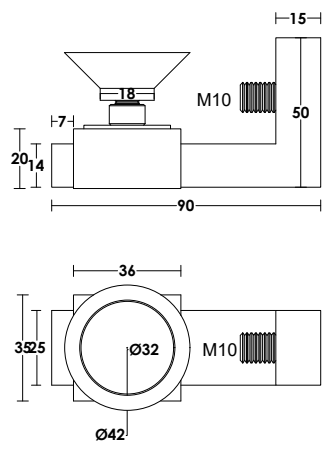


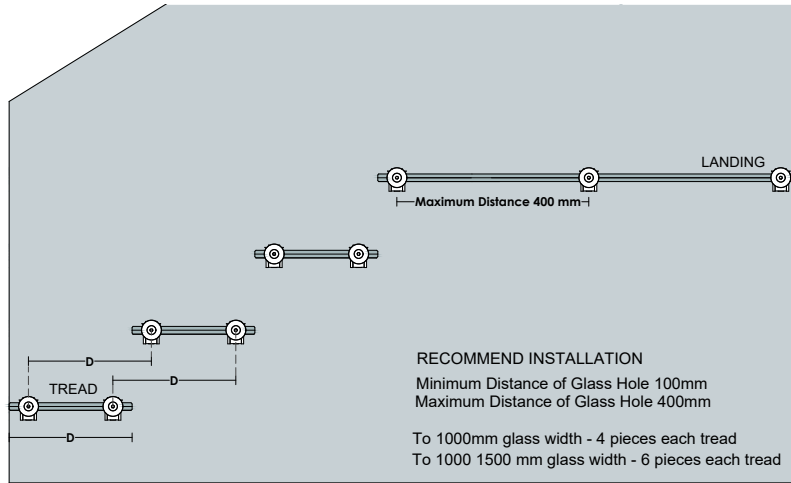
PCA-FC11
Glass Staircase Fitting
 560 gr | Weight
 50kg | Max Weight
 16-30mm | Glass Thickness
 Stainless Steel 304 | Material
 Satin | Finish

Glass - Glass

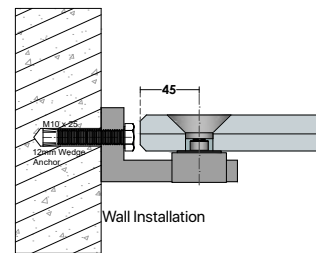
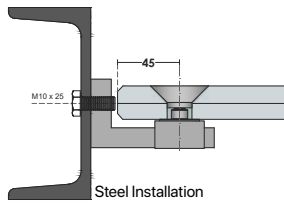
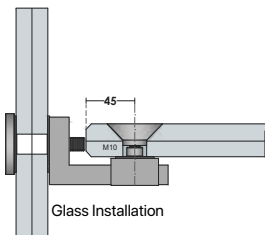


Wall - Glass

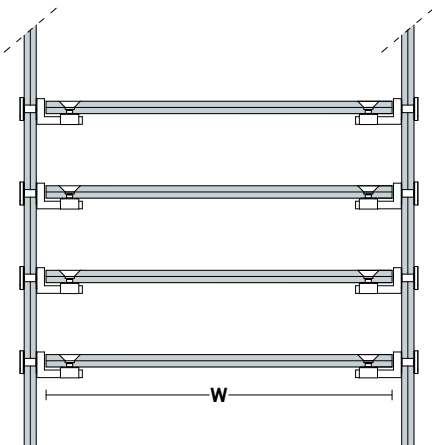




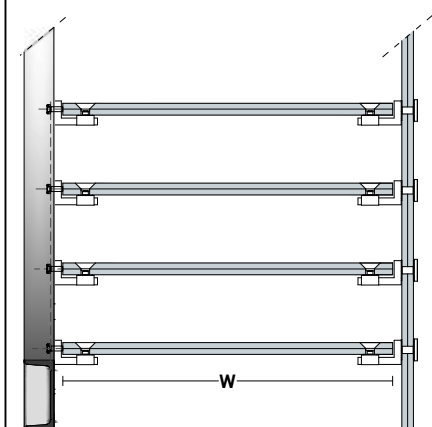
Glass Preparation



L 1100

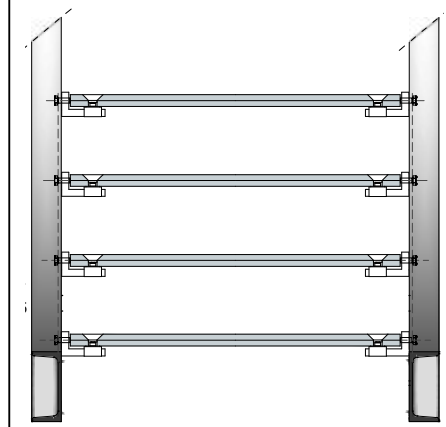


L 1200



DIN 10-26
U 180 - 280

L 1300



DIN 10-26
U 180 - 280